



Inserts

Design for HP MJF: Union joints design

Introduction

Threaded inserts provide a strong, reusable, and permanent thread in plastic parts, and they are typically used when frequent assembly and disassembly are required for service or repair. Threaded inserts are often available in brass, stainless steel, and aluminum, and can be installed using various techniques (e.g., heat-staking, ultrasonic vibrations, or press-in).

Recommended inserts for HP Multi Jet Fusion

Selecting the best threaded insert type and installation technique depends on a few factors, such as part application, plastic part material, and strength requirements.

HP Multi Jet Fusion parts are made of thermoplastic materials and can be re-melted and re-formed once printed. For this reason, inserts that are installed by heat-staking and ultrasonic vibrations are recommended for thermoplastic materials due to their high overall performance; however, press-in (screw-to-expand or hexagonal-shaped) and self-threading inserts may also be used in some applications.

Type of insert		Performance
Heat-staking and ultrasonic vibrations insert		<p>High overall performance.</p> <p>Not very dependent on hole size.</p> <p>Material is melted around the insert.</p>
Press-in insert	Screw-to-expand	<p>Very dependent on hole size tolerances.</p> <p>Recommended for non-critical applications.</p>
	Hexagonal-shaped	<p>Dependent on hole size tolerances.</p> <p>Good pull-out resistance.</p> <p>Recommended for non-critical applications.</p>
Self-threading insert		<p>Excellent pull-out resistance.</p> <p>Easy to install.</p>

Table 1: Types of inserts

Design guidelines

Hole diameter

A pre-formed hole is necessary to install a threaded insert, so the hole diameter is a very important element in achieving the desired strength: Oversized holes will result in a reduction of the joint strength and undersized holes can potentially crack the part. Usually, suppliers of threaded inserts specify the hole diameter size and depth needed to install an insert.



The hole size is dependent upon the part orientation, and for this reason it is recommended to always print the part using the same orientation.

For this reason, it is important to take into account the insert supplier specifications and select a type of insert that is compliant with HP Multi Jet Fusion capabilities.

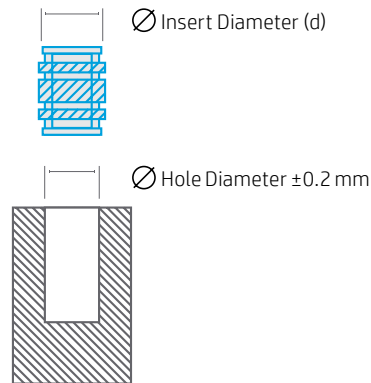


Figure 1: Hole diameter

Bosses

Bosses are typically used for mounting purposes such as attaching fasteners or as a receptacle for threaded inserts. Traditionally a boss diameter is twice the size of the external diameter of inserts that are less than 6 mm, while a 3-mm wall thickness applies to all larger inserts.

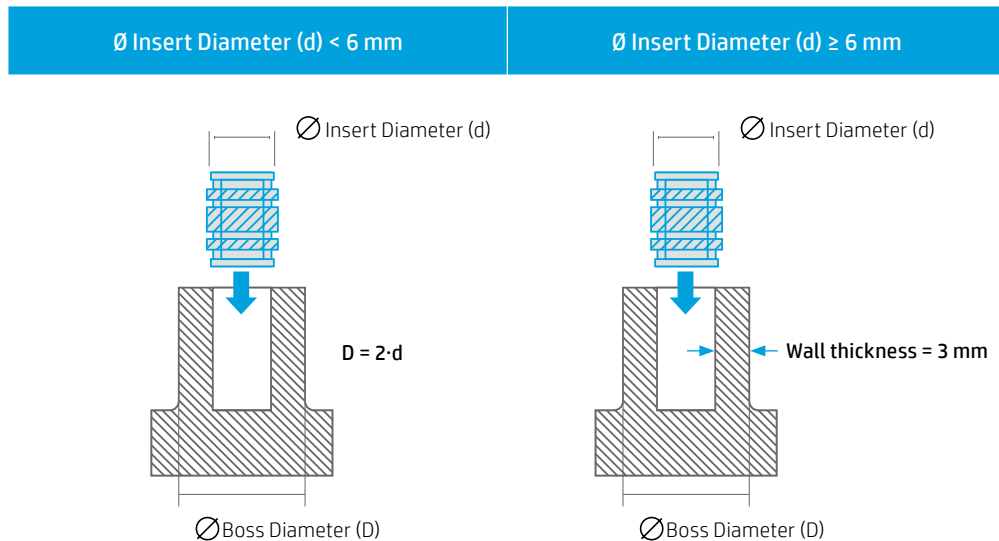


Figure 2: Boss diameter



Special consideration should be given to cold-press installations where increased stress may require larger boss diameters.

Mating part

The threaded insert—not the plastic part—should bear the load. For this reason, the diameter of the mating part hole is also important to keep the insert from being pulled through the hole.

Thus, the diameter of the mating part hole must be larger than the outside diameter of the assembly bolt but smaller than the diameter of the insert, as shown below:

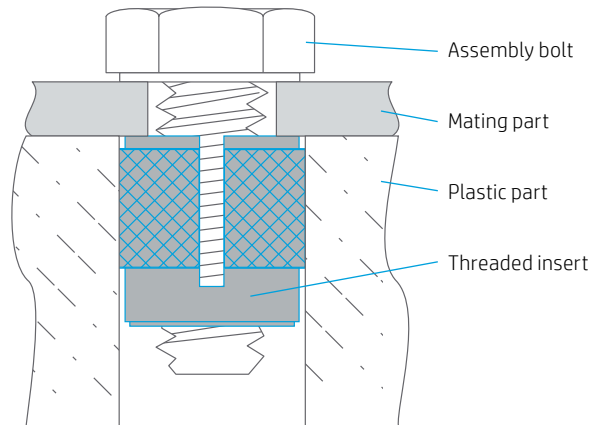


Figure 3: Threaded joint assembly



The mating part must also withstand the stress generated by the clamping force. In instances where the mating part will also be plastic, the use of a collar or a washer between the assembly bolt and the mating part should be considered.

©Copyright 2019 HP Development Company, L.P. The information contained herein is subject to change without notice.

The information contained herein is provided for information purposes only. The only terms and conditions governing the sale of HP 3D printer solutions are those set forth in a written sales agreement. The only warranties for HP products and services are set forth in the express warranty statements accompanying such products and services. Nothing herein should be construed as constituting an additional warranty or additional binding terms and conditions. HP shall not be liable for technical or editorial errors or omissions contained herein and the information herein is subject to change without notice.

